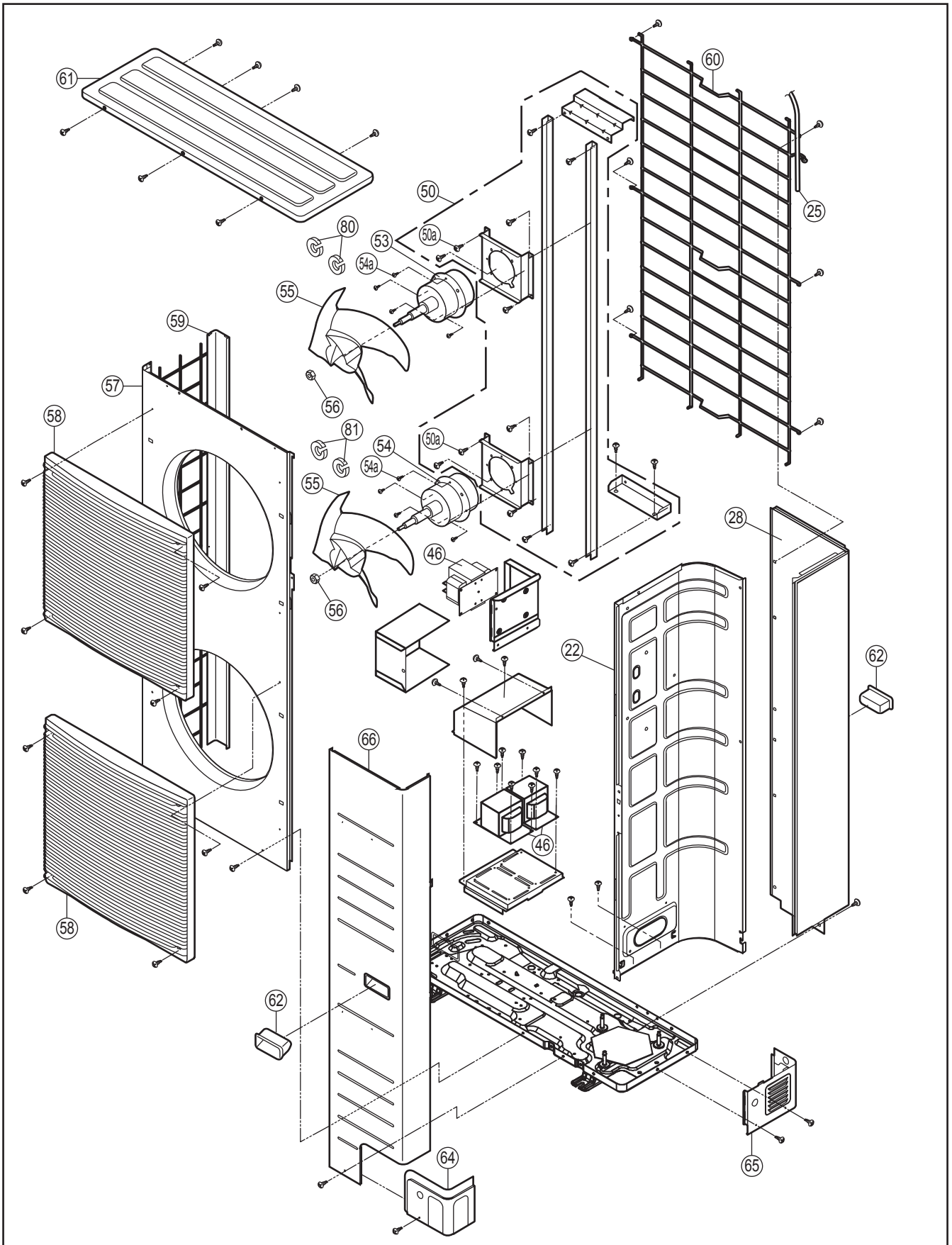
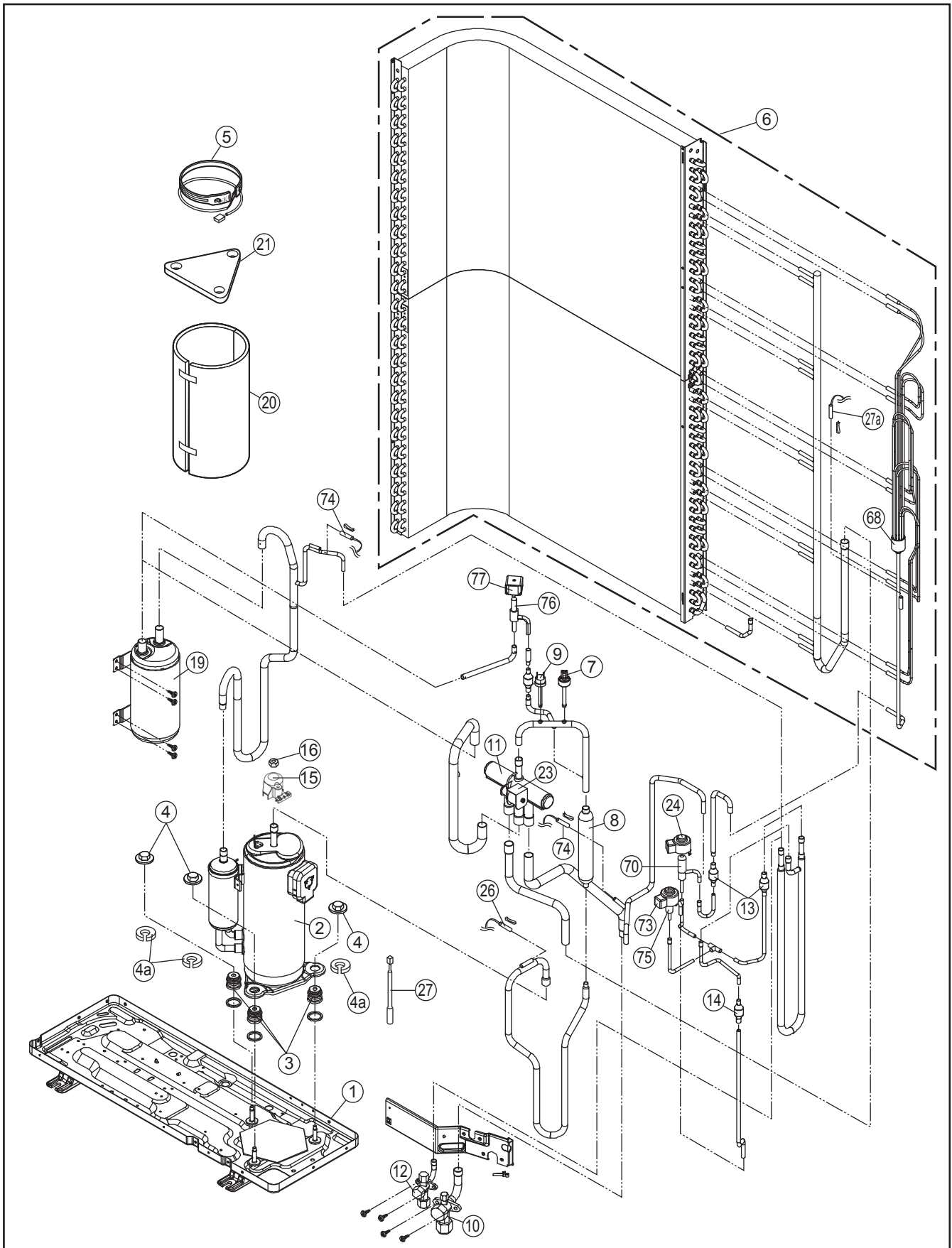


## 19.2 Outdoor Unit



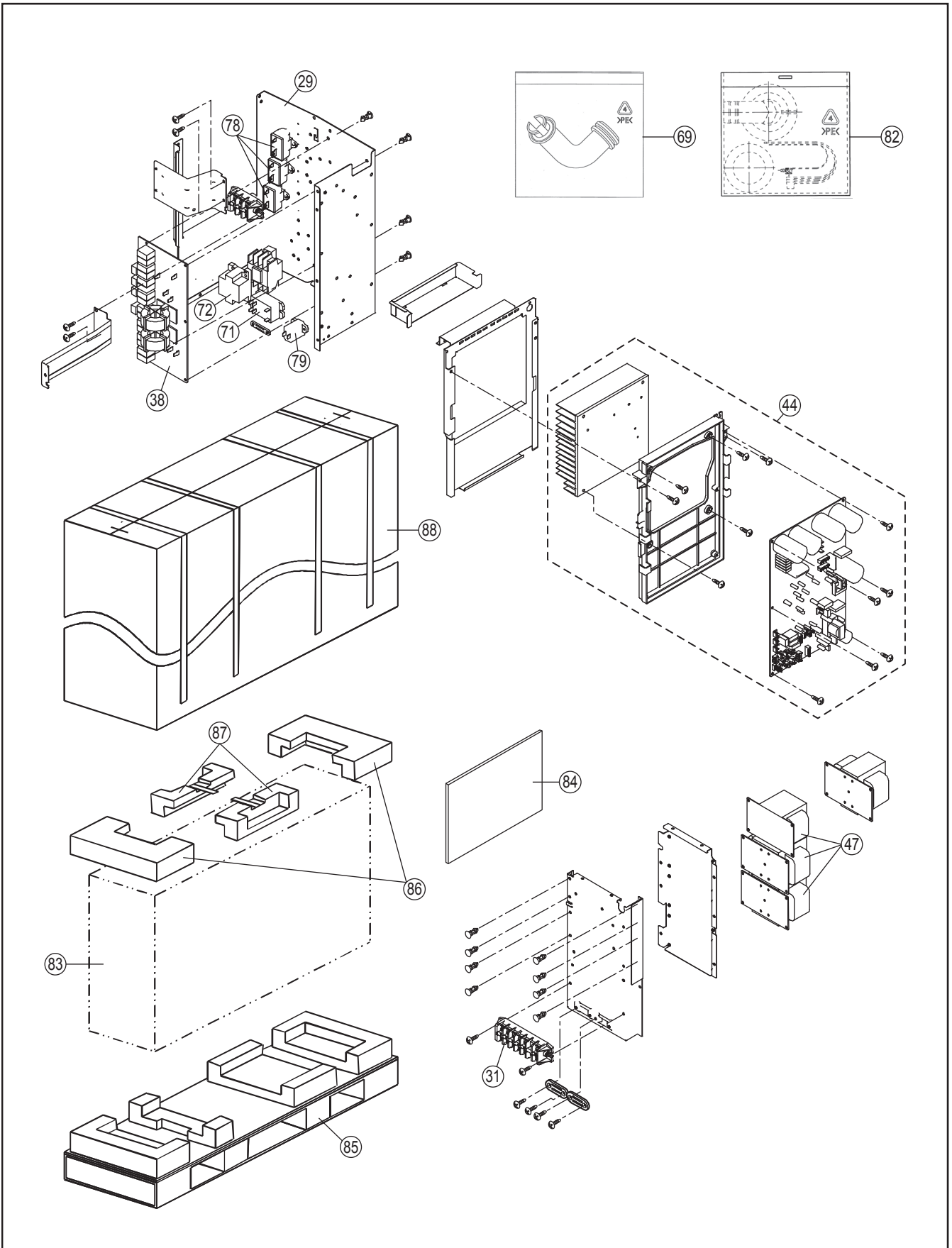
**Note:**

- The above exploded view is for the purpose of parts disassembly and replacement.
- The non-numbered parts are not kept as standard service parts.



**Note:**

- The above exploded view is for the purpose of parts disassembly and replacement.
- The non-numbered parts are not kept as standard service parts.



**Note:**

- The above exploded view is for the purpose of parts disassembly and replacement.
- The non-numbered parts are not kept as standard service parts.

<Model: WH-UX09FE8 WH-UX12FE8>

SAFETY	REF. NO.	DESCRIPTION & NAME	QTY.	WH-UX09FE8	WH-UX12FE8	REMARK
	1	BASE PAN ASS'Y	1	CWD52K1275	←	
⚠	2	COMPRESSOR	1	5JD420XBA22	←	O
	3	BUSHING - COMPRESSOR MOUNT	3	CWH50055	←	
	4	NUT - COMPRESSOR MOUNT	3	CWH561049	←	
	4a	GASKET FOR TERMINAL COVER	3	CWB811017	←	
	5	CRANKCASE HEATER	1	CWA341053	←	
	6	CONDENSER COMPLETE	1	CWB32C3986	←	
	7	HIGH PRESSURE SENSOR	1	CWA501463	←	O
	8	DISCHARGE MUFFLER	1	CWB121014	←	
	9	PRESSURE SWITCH	1	CWA101007	←	
	10	3-WAYS VALVE (GAS)	1	CWB011251	←	O
	11	4-WAYS VALVE	1	CWB001046	←	O
	12	3-WAYS VALVE	1	CWB011292	←	O
	13	STRAINER	2	CWB111032	←	
	14	STRAINER	1	CWB111032	←	
	15	TERMINAL COVER	1	CWH171039A	←	
	16	NUT - TERMINAL COVER	1	CWH7080300J	←	
	19	ACCUMULATOR	1	CWB131026A	←	
	20	SOUND PROOF MATERIAL	1	CWG302881	←	
	21	SOUND PROOF MATERIAL	1	CWG302266	←	
	22	SOUND PROOF BOARD	1	CWH15K1031	←	
⚠	23	V-COIL COMPLETE (4 WAY VALVE)	1	CWA43C2169J	←	O
⚠	24	V-COIL COMPLETE (MAIN EXPANSION VALVE)	1	CWA43C2602	←	O
	25	SENSOR -COMP. - OUTLET TEMP (TH1)	1	CWA50C2730	←	O
	26	SENSOR - COMP. - DISCHARGE TEMP (CN-DIS)	1	CWA50C2576	←	O
	27	SENSOR -COMP. - COMP TANK (CN-TANK)	1	CWA50C2629	←	O
	27a	SENSOR - COMP. - DEFROST TEMP (TH2)	1	CWA50C2577	←	O
	28	CABINET REAR PLATE - COMPLETE	1	CWE02C1064	←	
	29	CONTROL BOARD CASING	1	CWH10K1049	←	
⚠	31	TERMINAL BOARD ASS'Y	1	CWA28K1214	←	O
⚠	38	ELECTRONIC CONTROLLER - NF	1	CWA747838	←	O
⚠	44	ELECTRONIC CONTROLLER (MAIN)	1	CWA73C7983R	CWA73C8146R	O
⚠	46	REACTOR (P1)	3	G0C293J00001	←	O
⚠	47	REACTOR (P2)	3	G0C153J00009	←	O
⚠	50	FAN MOTOR BRACKET	1	CWD54K1084	←	
	50a	SCREW-FAN MOTOR BRACKET	8	CWH551040J	←	
	53	FAN MOTOR (UPPER)	1	EHDS83CAC	←	O
	54	FAN MOTOR (LOWER)	1	EHDS83DAC	←	O
	54a	SCREW - FAN MOTOR MOUNT	8	CWH551323	←	
	55	PROPELLER FAN ASSY	2	CWH00K1006	←	
	56	NUT	2	CWH561092	←	
	57	CABINET FRONT PLATE	1	CWE061098A	←	
	58	DISCHARGE GRILLE	2	CWE201073	←	
	59	CABINET SIDE PLATE ASSY	1	CWE04K1023A	←	
	60	WIRE NET	1	CWD041103A	←	
	61	CABINET TOP PLATE CO.	1	CWE03C1096	←	
	62	HANDLE	2	CWE161008	←	
	64	PIPE COVER (FRONT)	1	CWD601074A	←	
	65	PIPE COVER (BACK)	1	CWD601075A	←	
	66	CABINET FRONT PLATE CO.	1	CWE06C1091	←	
	68	TUBE ASSY (CAP.TUBE)	1	CWT07K1606	←	
	69	ACCESSORY CO.(DRAIN ELBOW)	1	CWG87C2030	←	
	70	EXPANSION VALVE (1)	1	CWB051049	←	O

SAFETY	REF. NO.	DESCRIPTION & NAME	QTY.	WH-UX09FE8	WH-UX12FE8	REMARK
	71	ELECTRO MAGNETIC SWITCH (CN-RY1)	1	K6C2AGA00002	←	O
	72	ELECTRO MAGNETIC SWITCH (CN-RY2)	1	K6C4E8A00001	←	O
⚠	73	V-COIL COMPLETE (CN-EV2)	1	CWA43C2335	←	O
	74	SENSOR - COMP. - BYPASS TEMP (CN-TH3)	1	CWA50C3165	←	O
	75	EXPANSION VALVE (2)	1	CWB051029	←	O
	76	2-WAYS VALVE	1	CWB021637	←	O
⚠	77	V-COIL COMPLETE (2 WAY VALVE)	1	CWA43C2607	←	O
⚠	78	CAPACITOR - FOR REACTOR	3	DS441205NPQA	←	O
	79	PTC THERMISTORS	1	D4DDG1010001	←	O
	80	WASHER FOR P.FAN	1	CWH571067	←	
	81	WASHER FOR P.FAN	1	CWH571068	←	
	82	ACCESSORY - COMPLETE	1	CWH82C2031	←	
	83	BAG	1	CWG861204	←	
	84	SHOCK ABSORBER	1	CWG712922	←	
	85	BASE BOARD - COMPLETE	1	CWG62C1086	←	
	86	SHOCK ABSORBER	2	CWG712852	←	
	88	C.C.CASE	1	CWG568054	←	

**Note:**

- All parts are supplied from PAPAMY, Malaysia (Vendor Code: 00029488).
- "O" marked parts are recommended to be kept in stock.